

Ordering Information

C Cover	Nominal Size	B Cover with X-Connection and Stroke Limiter	Adjustment	Orifice	Seals	Design Series not required for ordering
-------------------	--------------	--	------------	---------	-------	--

Code	Description
016	NG16
025	NG25
032	NG32
040	NG40
050	NG50
063	NG63
080	NG80
100	NG100

Code	Description
N	Screw / Spindle
Y	Knob E10 lock, only NG16-NG50

Code	Description
N	Nitrile
V	Fluorocarbon

Code	Description
99	Without Orifice, Open Orifice Options

Weight:

C016B	0.9 kg (2.0 lbs.)
C025B	1.9 kg (4.2 lbs.)
C032B	2.9 kg (6.4 lbs.)
C040B	5.4 kg (11.9 lbs.)
C050B	8.4 kg (18.5 lbs.)
C063B	15.1 kg (33.3 lbs.)
C080B	34.0 kg (75.0 lbs.)
C100B	60.0 kg (132.3 lbs.)

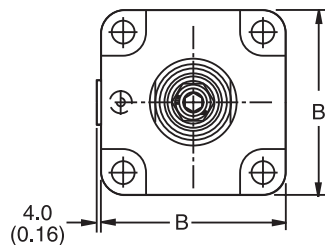
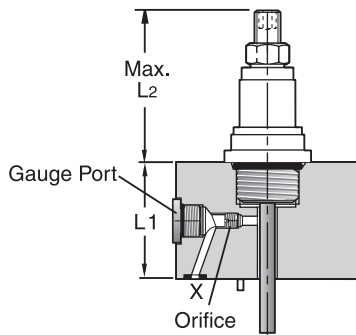
○ Orifice position

For orifice recommendations, bolt and seal kits, see Accessories.

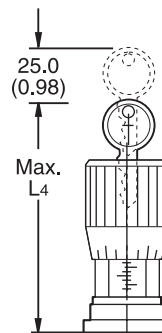
Dimensions

Inch equivalents for millimeter dimensions are shown in (**)

NG16 to NG25 - Adjustment N



Adjustment Y

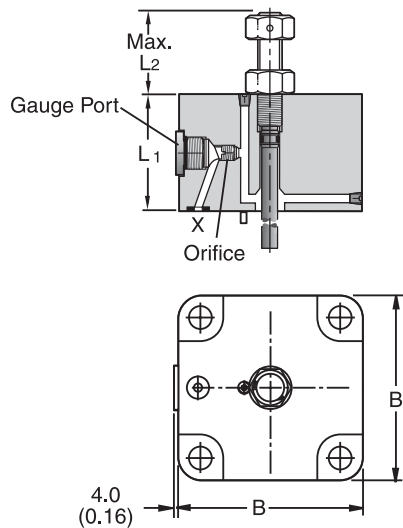


Size	B	L1	L2 max.	L4 max.	Gauge Port	Orifice Thread
NG16	65.0 (2.56)	36.0 (1.42)	72.0 (2.83)	100.0 (3.94)	G 1/4"	M6
NG25	85.0 (3.35)	45.0 (1.77)	72.0 (2.83)	100.0 (3.94)		

Inch equivalents for millimeter dimensions are shown in (**)

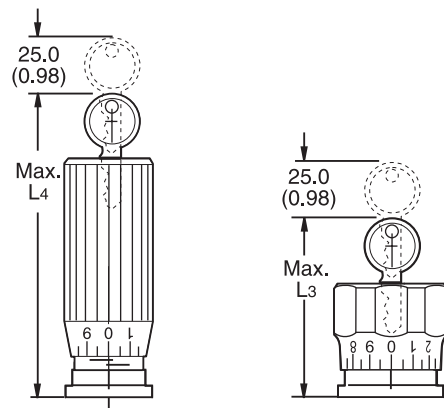
NG32 to NG50

Adjustment N



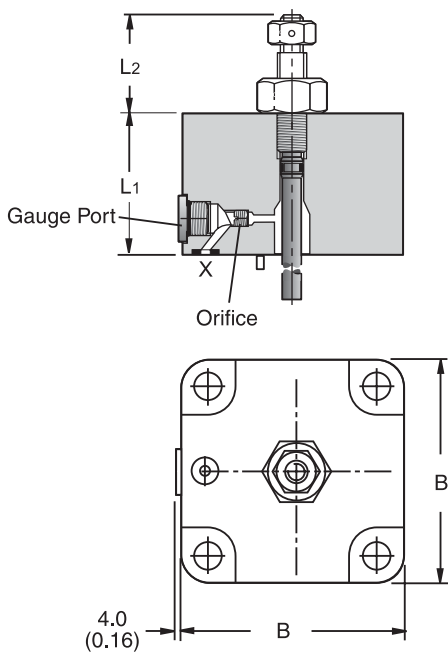
Adjustment Y (NG32)

Adjustment Y (NG40/50)



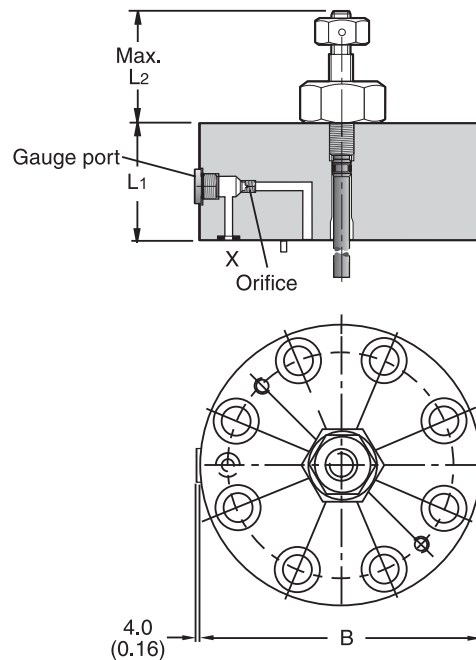
NG63

Adjustment N



NG80 to 100

Adjustment N



Size	B	L1	L2 max.	L3	L4 max.	Gauge Port	Orifice Thread
NG32	102.0 (4.02)	50.0 (1.97)	48.0 (1.89)	—	141.0 (5.50)	G¼"	1/16 NPT
NG40	125.0 (4.92)	60.0 (2.36)	50.0 (1.97)	123.0 (4.84)	—		1/16 NPT
NG50	140.0 (5.51)	70.0 (2.76)	50.0 (1.97)	127.0 (5.00)	—		1/16 NPT
NG63	180.0 (7.09)	85.0 (3.35)	65.0 (2.56)	—	—		1/8 NPT
NG80	Ø250.0 (9.84)	105.0 (4.13)	95.0 (3.74)	—	—		1/8 NPT
NG100	Ø300.0 (11.81)	120.0 (4.72)	120.0 (4.72)	—	—		1/8 NPT

CE-CP.indd, ddp